

South Jersey Elevator

*Installation & Service Of Residential
Elevators*



652 West Ave Ocean City, NJ 08226

Phone: 609-545-8512 ♦ Fax 609-545-8502

www.SJElevator.com

DELAWARE ELEVATOR

Manufacturer of Residential Elevators

COMPANY HISTORY

Delaware Elevator was founded by the Meeks family on the Eastern Shore of Maryland in 1946. Over the past 60 years, our continued commitment to providing the best quality of products and services has made us one of the largest independent companies in the nation.

To serve our customers in a timelier manner, we have expanded the infrastructure in our main office in Salisbury, Maryland, and in our branch offices in Upper Marlboro, Maryland, and Wilmington, Delaware. To further augment our service to our clients on the beach, we recently opened a satellite office in the heart of Ocean City, Maryland.

The goal of Delaware Elevator, Inc. is to provide responsive service tailored to meet the individual needs of our valued customers. With our current staff of over 200, all located locally, we can confidently affirm that we are large enough to solve your problems and small enough to care.

We welcome the opportunity to work with you on any of your vertical transportation needs.

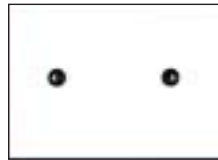
ST. MICHAELS SERIES



Stain Colors Available:



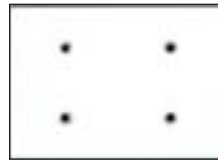
Standard Ceiling:



2LW

Also Available
in Black 2LB

Options:



4LW



4LB



Stained Oak recessed panels
with scissor gate.



Optional:
Recessed Mirror
or Safety Glass

The St. Michaels is a recessed panel cab crafted from natural hardwood and veneers with stains and solid color lacquer finishes. Other available wood species include cherry, walnut, birch and mahogany.

**All colors and patterns are printed reproductions. Please request actual sample for absolute color fidelity.

CHESAPEAKE SERIES



Stain Colors Available:



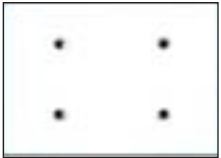
Standard Ceiling:



2LW

Also Available
in Black 2LB

Options:



4LW



4LB



Optional:
Recessed Mirror
or Safety Glass

This is a simple yet clean design; our Chesapeake cab features traditional moldings and a high quality wood finish. Available in various wood species and stains, the Chesapeake will enhance the décor of any life style.

Flushed panels with solid oak moldings and stained with a lacquer finish

**All colors and patterns are printed reproductions. Please request actual sample for absolute color fidelity.

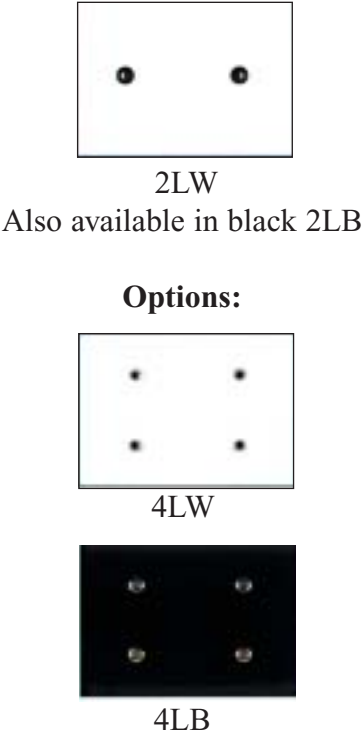
CAMBRIDGE SERIES



Standard Laminate Colors



Standard Ceiling



The Cambridge cab economically offers all amenities to meet your practical needs. This unit is available with laminate wall with a wide variety of colors and patterns to complete the package.

Cambridge Series comes standard with brushed stainless steel fixtures and handrail.
 Flush stain grade plywood is also a standard feature.
 All standard units are equipped with a vinyl laminate gate.

****All colors and patterns are printed reproductions. Please request actual sample for absolute color fidelity.**

GATE OPTIONS

Vinyl Laminate Accordion Gate Colors



(Also available with 3 clear vision panels)

Hardwood Accordion Gate Colors



Accordion Gate



Solid and Clear Vision Panels



Visifold



Aluminum/Perforated



Panel Connectors for Laminate and Hardwood



Panel Connectors for Aluminum/Perforated Gate



**All colors and patterns are printed reproductions. Please request actual sample for absolute color fidelity.

FIXTURE OPTIONS

HANDRAIL



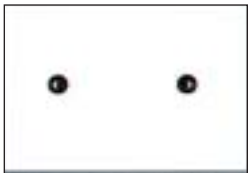
#4 Brushed Stainless Steel Flat or Round Bar is standard



#4 Brushed Brass Flat or Round Bar (Optional)

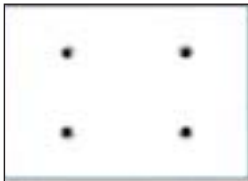
(# 8 Polished Stainless Steel and Brass are also available upon request)

STANDARD CEILING



2LW
(Also available in black 2LB)

CEILING OPTIONS



4LW



4LB

PUSHBUTTON SIGNAL FIXTURES

Standard Brushed Stainless Steel

Brushed Brass (Optional)



(1)



(2)



(3)



(1)



(2)



(3)

- 1 **Car Operating Panel** – Standard car operating panel includes light up push buttons, digital floor position indicator with car direction arrows, emergency stop switch, alarm button, and light override switch.
- 2 **Hall Station** – Standard hall stations include a light up call button and "Car Here" indicator.
- 3 **Phone Box** – (Optional) Recessed phone box will conceal phone in the cab.

South Jersey Elevator

652 West Ave , Ocean City NJ USA 08226
Phone: 609-545-8512 FAX: 609-545-8502

Elevator Feature

Characteristics

- Up to 950 lb capacity (750 lb standard)*
- 40 f.p.m. nominal car speed
- Up to 6 stops with 50 feet of floor to floor travel*
- Minimum pit depth of 8 inches required (10" recommended)
- Minimum overhead clearance of 8'0" required (9'6" recommended)
- Up to 15 square feet interiors cab sizes available (12 ft standard)*

**Consult factory for other custom options available*

Equipment

- 1:2 Roped hydraulic drive
- (2) 3/8" diameter hoist cables
- Single stage hydraulic piston and cylinder with pressure balanced self adjusting seal
- Heavy duty cantilevered designed car sling with roller guide shoes
- 8 lb per foot steel tee guide rail system
- 220 volt single phase power supply
- Vibration free submersible pump/motor assembly with 3 or 5 horsepower motor option
- Two speed control valve with (4) solenoids, start and stop, and constant down speed regulation

Safety Devices

- Type "A" instantaneous broken rope car safety
- Pipe rupture valve
- Upper and lower terminal limit switches
- Top final limit switch
- Slack cable switch
- Emergency car lighting in cab
- Emergency I stop switch in cab
- Emergency push button alarm in cab
- Automatic car re-leveling device
- Floor selectable battery lowering device

- Emergency manual lowering valve
- Emergency telephone in cab
- Solid panel cab doors with approved safety switch
- Approved electro mechanical hoistway door interlocks
- Rubber impact bumper below elevator car
- UL and/or CSA certified electrical and hydraulic devices
- Manufactured in accordance with ASME A17.1 safety code

Controls/Push Button Fixtures

- Automatic pushbutton control
- Microprocessor based control system with uninterrupted battery back up
- Light-up push buttons in car and hall
- Digital floor position indicator in car
- Automatic in car light with override switch in cab
- Automatic indicator light time-out feature
- Automatic "Home Park" feature to designated floor
- "Car Here" indicators in hall
- Low oil protection timer circuit

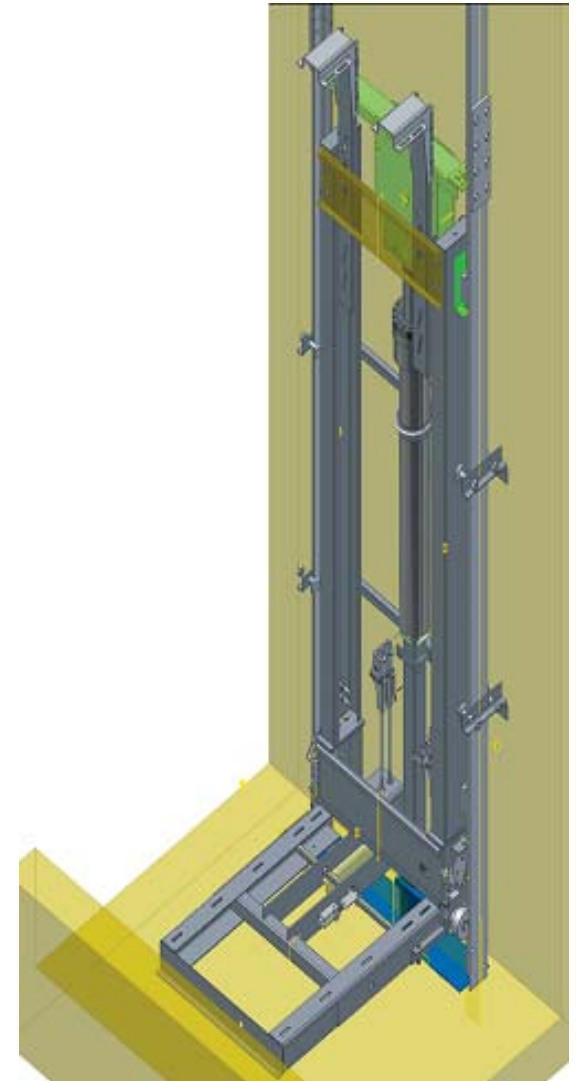
Cab Finishes & Accessories

- Cambridge series cab available in a wide variety of plastic laminate choices and other options
- Solid panel accordion cab door available in a wide variety of vinyl laminate choices
- 36" x 48" x 80" high clear interior cab size with a variety of cab opening configurations
- Brushed stainless steel handrail on one side wall
- Brushed stainless steel cab control panel

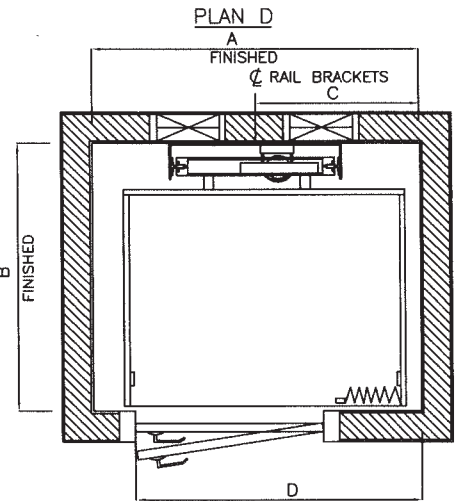
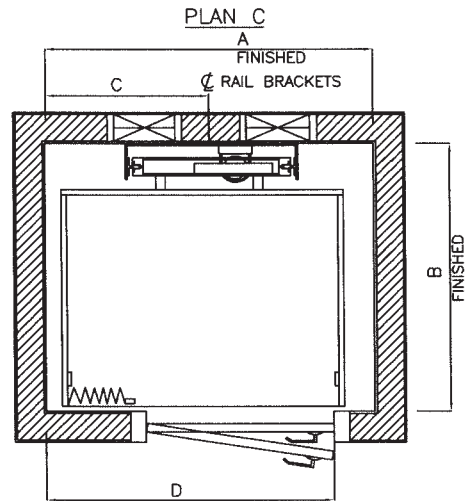
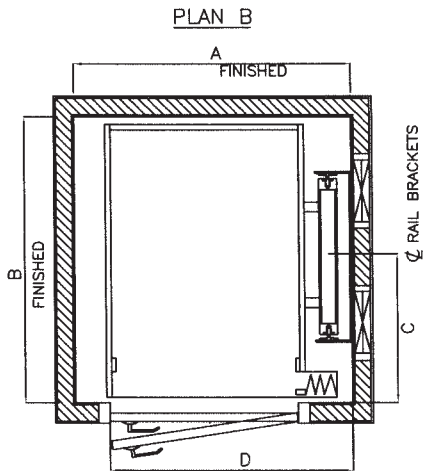
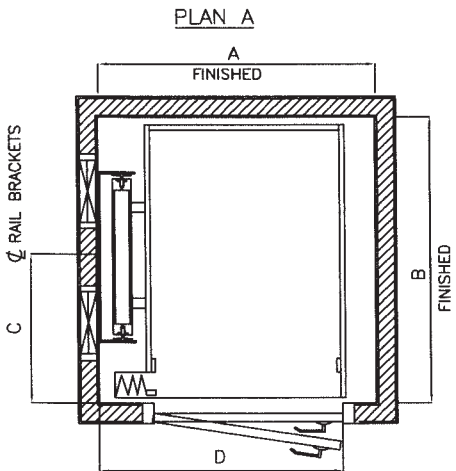
Options

- St. Michael & Chesapeake Series cabs available in a wide variety of finishes and other options
- Accordion cab doors in hardwoods, custom stain and lacquer finish,

- aluminum, clear or bronze acrylic panels
- Recessed telephone cabinet
- Automatic car door operator
- Polished stainless steel, brushed brass, or polished brass pushbutton faceplate handrail finishes



DELAWARE ELEVATOR HOISTWAY SIZE REQUIREMENTS



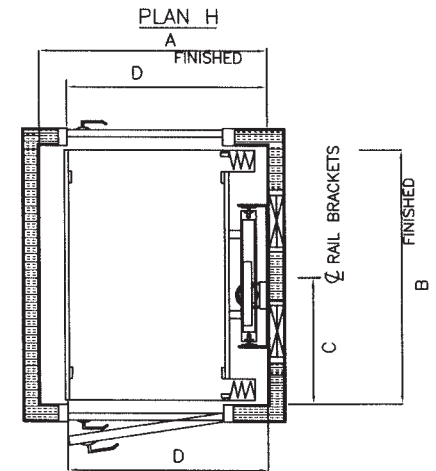
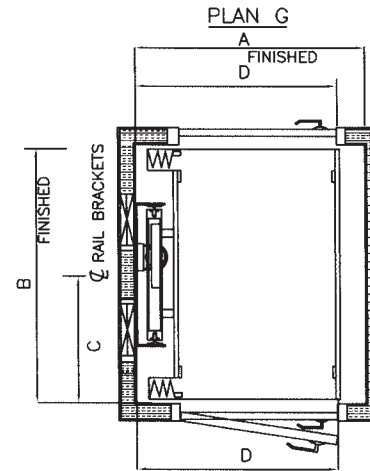
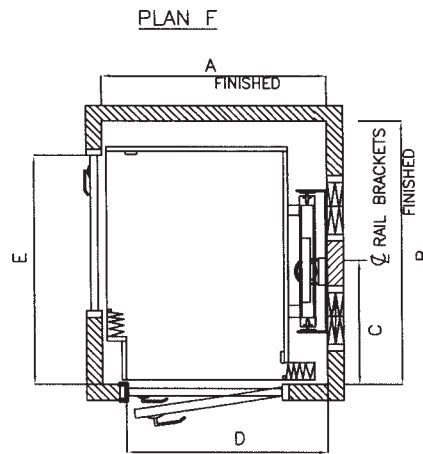
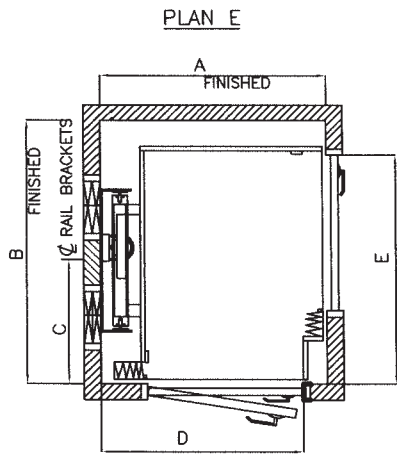
CAPACITY	A	B	C	D
750 LBS	4'-5"	4'-9"	2'-4 1/2"	3'-10 1/2"
950 LBS	4'-5"	5'-9"	2'-10 1/2"	3'-10 1/2"

CAPACITY	A	B	C	D
750 LBS	4'-5"	4'-9"	2'-4 1/2"	3'-10 1/2"
950 LBS	4'-5"	5'-9"	2'-10 1/2"	3'-10 1/2"

CAPACITY	A	B	C	D
750 LBS	4'-10"	4'-4"	2'-3"	4'-2"
950 LBS	5'-10"	4'-4"	2'-9"	5'-2"

CAPACITY	A	B	C	D
750 LBS	4'-10"	4'-4"	2'-3"	4'-2"
950 LBS	5'-10"	4'-4"	2'-9"	5'-2"

DELAWARE ELEVATOR HOISTWAY SIZE REQUIREMENTS



CAPACITY	A	B	C	D	E
750 LBS	4'-4"	5'-1"	2'-4 1/2"	3'-8"	4'-5"
950 LBS	4'-4"	6'-1"	2'-10 1/2"	3'-8"	5'-5"

CAPACITY	A	B	C	D	E
750 LBS	4'-4"	5'-1"	2'-4 1/2"	3'-8"	4'-5"
950 LBS	4'-4"	6'-1"	2'-10 1/2"	3'-8"	5'-5"

CAPACITY	A	B	C	D
750 LBS	4'-5"	5'-0"	2'-6"	3'-10 1/2"
950 LBS	4'-5"	6'-0"	3'-0"	3'-10 1/2"

CAPACITY	A	B	C	D
750 LBS	4'-5"	5'-0"	2'-6"	3'-10 1/2"
950 LBS	4'-5"	6'-0"	3'-0"	3'-10 1/2"

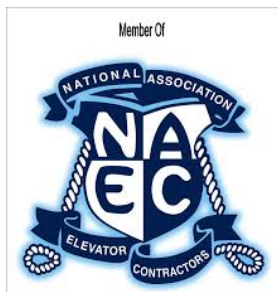
South Jersey Elevator

652 West Ave

Ocean City, NJ 08226

Phone:609-545-8512

Fax 609-545-8502



www.SJElevator.com

