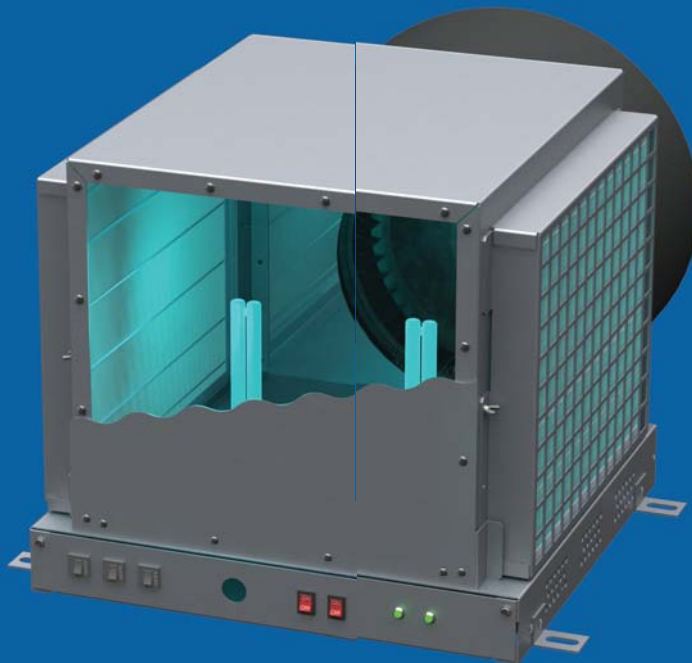




UVC GERMICIDAL DUAL HEPA FILTRATION UNIT



Shown with end panel partially removed

PATENTS PENDING

Dual UVC Germicidal Sources

Dual HEPA Filtration

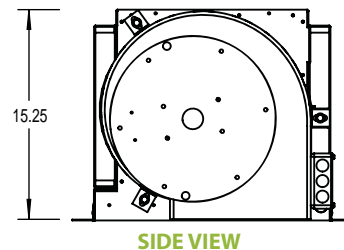
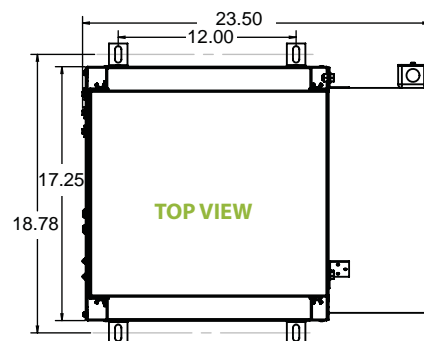
VENTILATION / FANS

FOR NEW AND EXISTING ELEVATOR CABS

Patent Pending, Ultra Performance, Dual UVC Germicidal & Dual HEPA filtration unit. Built specifically for elevators, with the intent of rapidly reducing viral and bacterial loads in the cab. This unit features a 3-speed high performance sealed ball bearing motor. The "squirrel cage" blower wheel ensures maximum air flow and quiet operation. **Blows purified air down into the cab.**

Proprietary, fully automatic UV performance monitoring system ensures the dual UVC Germicidal unit is performing at peak levels and has LED indicators for each UV source, along with audible notification when system needs attention.

COP remote mounted UV status indicators are available. This allows passengers to visually see that the system is operating, giving them confidence that their safety is a high priority.



609.545.8512

WWW.SJElevator.com.COM

SPECIFICATIONS

(MVS-UVHC)

MATERIAL

H32 Aluminum

DIMENSIONS

17.25" x 23.50" and 15.25" Height

Overall Dimensions

Compatible with EXISTING fan cutouts 9.75" - 11.75"

10.20" x 6.80" Rectangular
OR

Cutout Hole

9.75-11.75" Diameter (using included adaptor)

Call for fan grille options

SCREEN GUARD

Intake and outlet screen guards are included

FEATURES

- **Blows purified air down INTO the cab**
- Compatible with EXISTING hole cutouts from many manufacturers
- Dual UVC Germicidal sources & Dual HEPA filtration
- Fully automatic UVC Germicidal performance monitoring system
- Visual AND audible notification if the UV system needs attention
- Automatic shut-down safety circuit when filters are removed
- High performance fan unit for rapid air changes
- Optional, remote mount COP indicators give passengers the confidence of knowing the Dual UVC Germicidal system is operational

Fan Unit
(MVS-OE)
Included

MATERIAL

16 GA Steel with black powder coat finish

MOTOR SPEED

Three speed, UL-Listed

RATING

Input: 115 VAC, 60 Hz (2.3A)

MOTOR CONSTRUCTION

Sealed Ball Bearing

BLADE

Squirrel cage blower wheel



ELEVATOR CONTROL,
ELEVATOR ACCESSORY
E329545

Wiring

CONNECTION

Terminal block for simple 3-speed wiring



South Jersey Elevator, LLC
1001 Lower Landing Rd
Suite 502
Blackwood, NJ 08012

P. 609.545.8512
F. info@sjelevator.com

609.545.8512

WWW.SJElevator.com